

90° FLOW REGULATOR VALVES



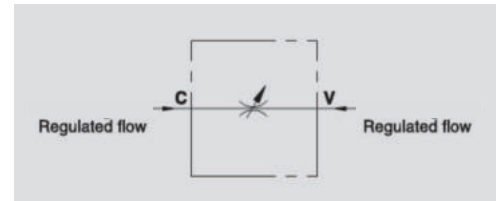
VRFB 90°

Flow Upto 110 LPM
Pressure 350 Bar



Description & Operation

This valve is used to adjust flow speed of actuators in one directions. Flow is free in the reverse. pressure compensation is not provided, flow rate depends on pressure and oil viscosity. These valve are characterised by a high adjustment accuracy. Connect either ports to the pressure flow and the other to the actuator to control. When used on actuators with double pilot check valves, VRFB 90 has to be mounted between the actuator and the double pilot check valve. Flow adjustment is done by rotating the plastic hand knob after loosening the side locking screw. This particular configuration allows an accurate adjustment.



Hydraulic Symbol



Technical Data

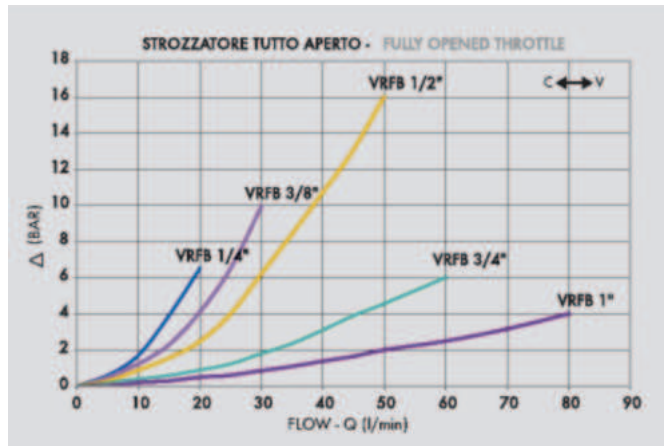
Maximum Flow	110 LPM
Maximum Pressure	350 Bar
Body Material	Steel
Internal parts	Hardened and Ground steel
External Component treatment	Zn/Fe - standard (96h) / Zn/Ni (720h)
Oil Temperature	50 Deg. C
Fluids	Mineral based or synthetics with lubricating properties
Viscosity	30 cSt
Standard Sealing	NBR-Buna N
Filtration	20/18/15 ISO 4406 (Max. Filtration admitted)
Orientation / Mounting	Inline
Weight	See Ordering details



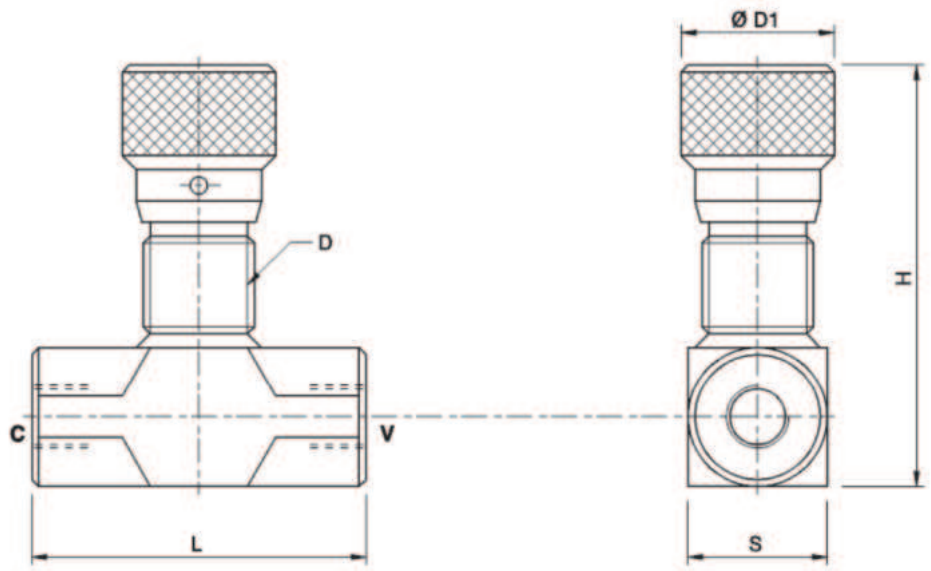
Specifications

Type	Max.Flow	Max.Pressure
	LPM	Bar
VRFB 90° 1/4"	15	350
VRFB 90° 3/8"	30	350
VRFB 90° 1/2"	50	350
VRFB 90° 3/4"	80	320
VRFB 90° 1"	110	300

 Performance Curve



 Dimensional Drawing



 Ordering Details

Code	Type	V-C	L mm	D mm	D1 mm	H mm	S mm	Weight Kg
		GAS						
R-V0584	VRFB 90° 1/4"	G1/4"	60	M22X1.5	32	82	25	0.366
R-V0586	VRFB 90° 3/8"	G3/8"	61	M22X1.5	32	82	25	0.352
R-V0587	VRFB 90° 1/2"	G1/2"	70	M22X1.5	32	87	30	0.468
R-V0589	VRFB 90° 3/4"	G3/4"	89	M35X1.5	42	108.5	40	1.080
R-V0577	VRFB 90° 1"	G 1"	90	M35X1.5	42	129	40	1.000

 On Request

- Aluminum hand knob (CODE/AL).