

HYDRAULIC HAND PUMPS

Manufacturers of High Performance Hydraulic Power Packs and Components

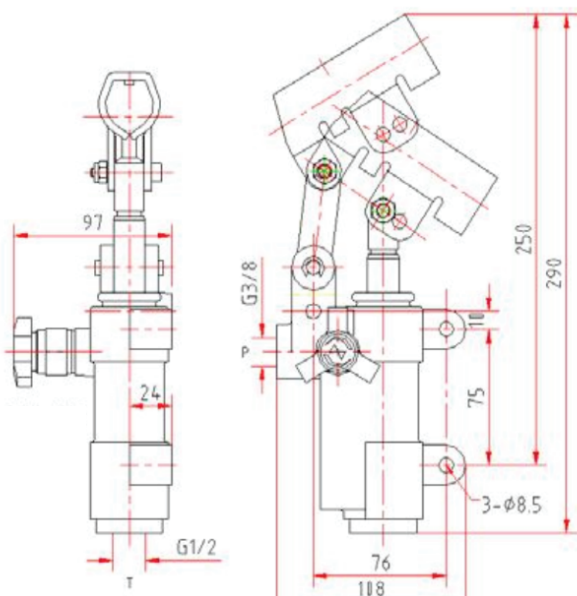


SINGLE ACTING PUMPS

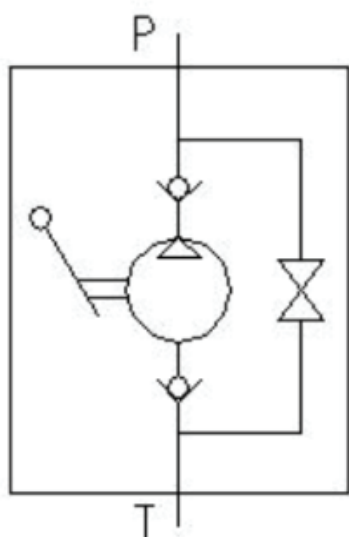


HP-20 Series

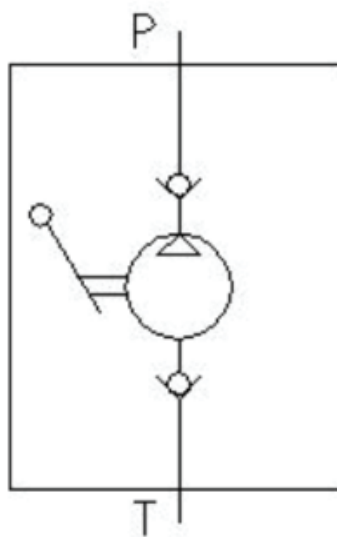
HYDRAULIC HAND PUMPS



Model	Displacement CC/STROKE	Max Pressure (BAR)	OIL thread		Unloading Valve	Weight KG
			Inlet	Outlet		
HP-20S-MV	20	300	G1/2	G3/8	YES	3.0
HP-20S					YES	3.1



Model: HP-20S-MV

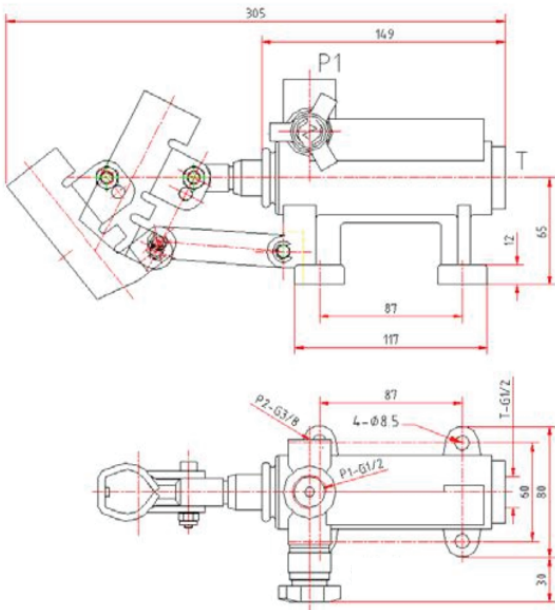


Model: HP-20S

SINGLE ACTING PUMPS

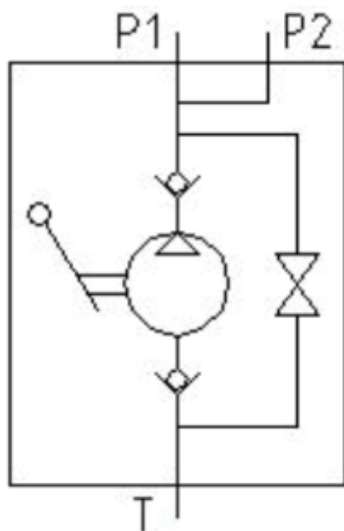


HP-50 Series

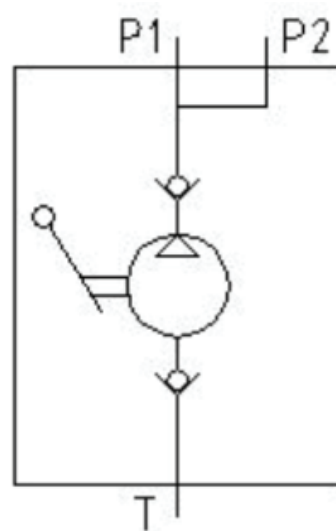


HYDRAULIC HAND PUMPS

Model	Displacement CC/STROKE	Max Pressure Bar	Oil thread		Unloading Valve	Weight KG
			Inlet	Outlet		
HP-50S-MV	50	300	G1/2	G3/8	YES	3.5
HP-50S				G1/2	NO	3.4



Model: HP-50S-MV



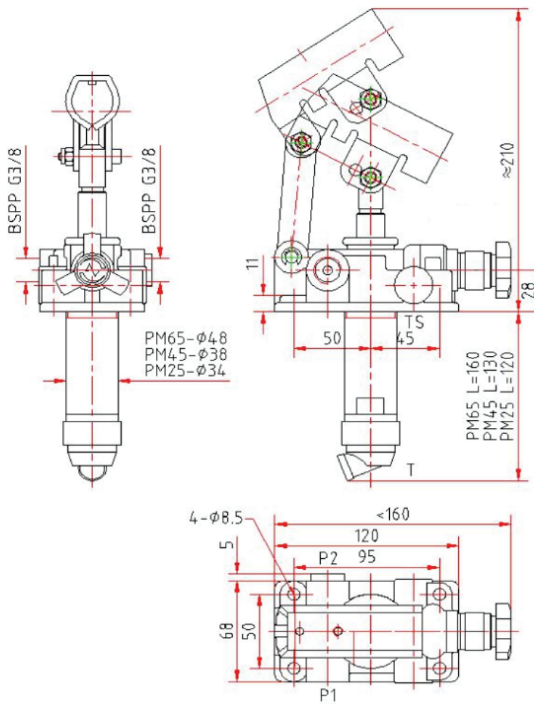
Model: HP-50S

SINGLE ACTING PUMPS

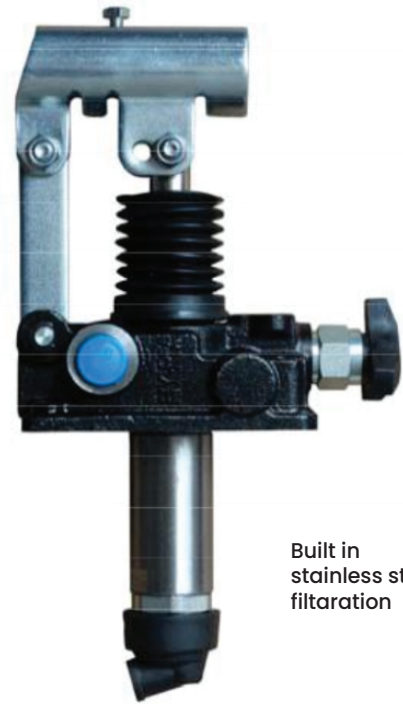


HP Series

HYDRAULIC HAND PUMPS

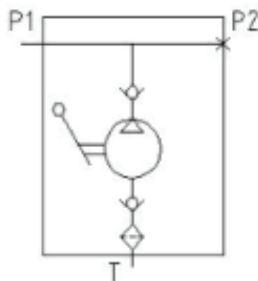


Various oil tubes size optionally available

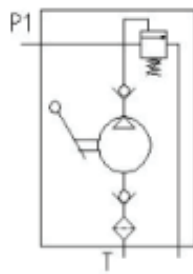


Built in stainless steel filtration

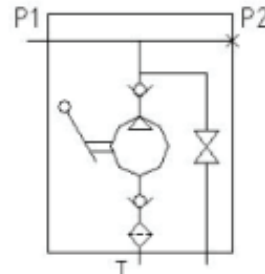
Model				CC/ STROKE	Max Pressure (BAR)	Outlet thread	Weight KG
HP-25S	HP-25S-R	HP-25S-MV	HP-25SMV-R	25	300	G3/8	3.3
HP-45S	HP-45S-R	HP-45S-MV	HP-45SMV-R	45	280		3.5
HP-65S	HP-65S-R	HP-65S-MV	HP-65SMV-R	65	180		4.3



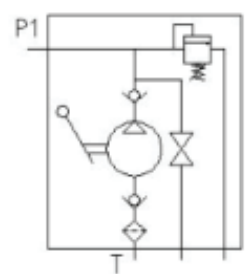
HP-25S
HP-45S
HP-65S



HP-25S-R
HP-45S-R
HP-65S-R



HP-25S-MV
HP-45S-MV
HP-65S-MV

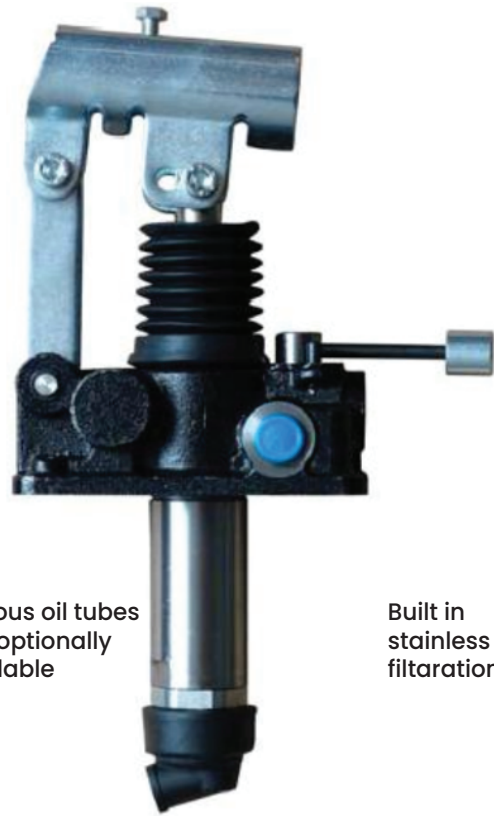
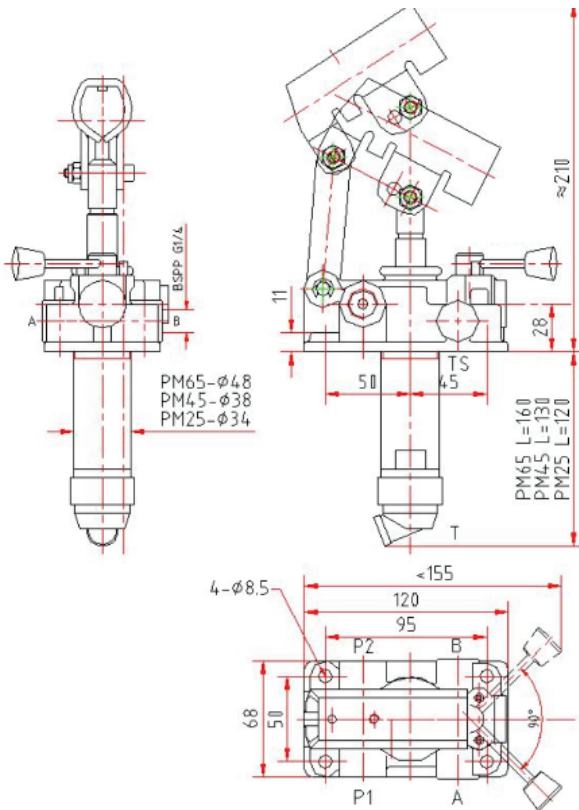


HP-25SMV-R
HP-45SMV-R
HP-65SMV-R

DOUBLE ACTING PUMPS



HPD Series

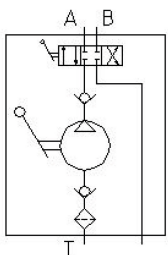


Various oil tubes size optionally available

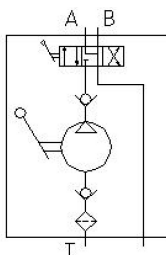
Built in stainless steel filtration

HYDRAULIC HAND PUMPS

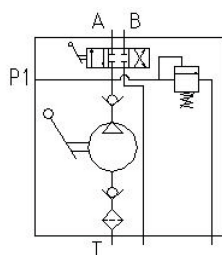
Model			Spool	CC/ STROKE	Max Pressure (BAR)	Thread size	Weight KG
HPD-25S-E	HPD-25S-E-R	HPD-25S-E-P	E	25	30	G3/8	3.2
HPD-25S-J	HPD-25S-J-R	HPD-25S-J-P	J				
HPD-45S-E	HPD-45S-E-R	HPD-45S-E-P	E	45	280		3.4
HPD-45S-J	HPD-45S-J-R	HPD-45S-J-P	J				
HPD-65S-E	HPD-65S-E-R	HPD-65S-E-P	E	65	180		4.3
HPD-65S-J	HPD-65S-J-R	HPD-65S-J-P	J				



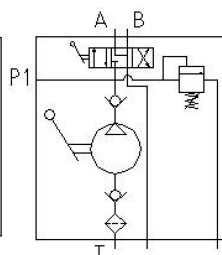
HPD-25S-E
HPD-45S-E
HPD-65S-E



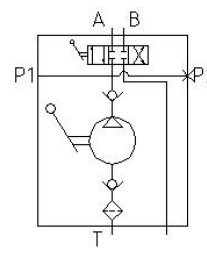
HPD-25S-J
HPD-45S-J
HPD-65S-J



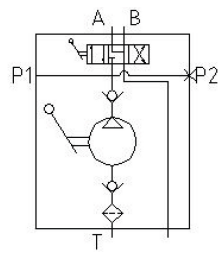
HPD-25S-E-R
HPD-45S-E-R
HPD-65S-E-R



HPD-25S-J-R
HPD-45S-J-R
HPD-65S-J-R



HPD-25S-E-P
HPD-45S-E-P
HPD-65S-E-P



HPD-25S-J-P
HPD-45S-J-P
HPD-65S-J-P

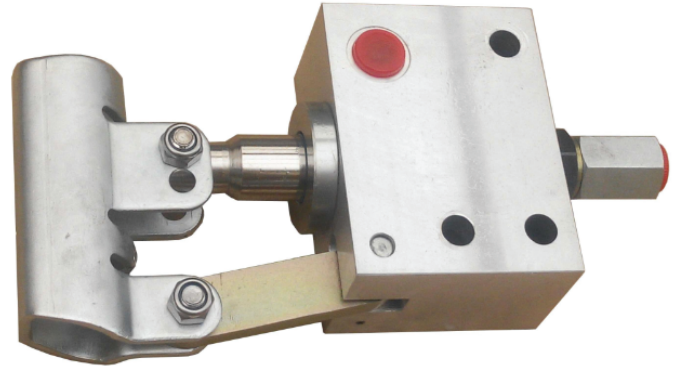
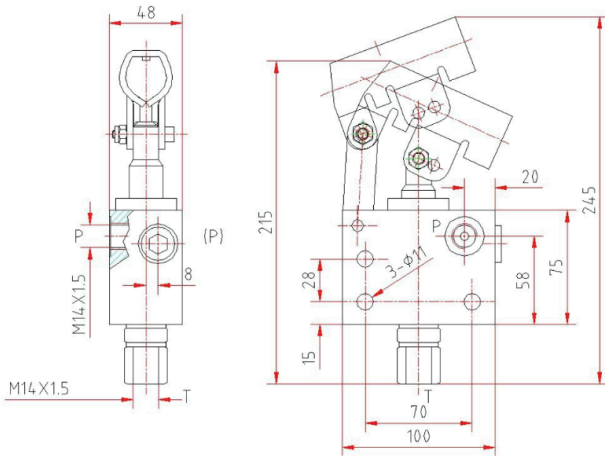


HP-10 Series

HYDRAULIC HAND PUMPS

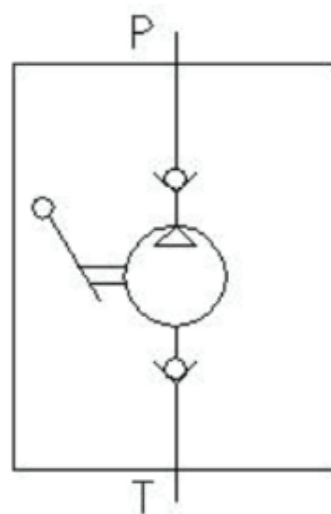
The lever dia. is 21.5mm

Its a small displacement hand pumps for emergency use.



Applicant for all kinds of sanitation vehicles or similar functional required.its lightweight,small size, easy operation & reliable.

Model	Displacement CC/STROKE	Max Pressure (BAR)	OIL thread		Weight KG
			Input Port	P Port	
HP-10S	10	240	M14X1.5		1.84

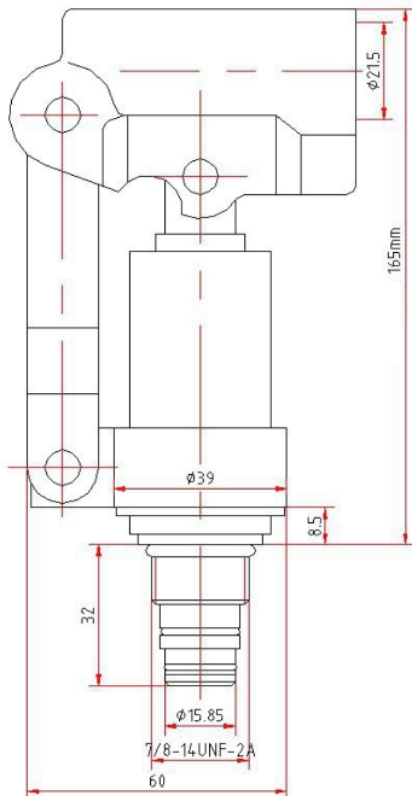


Model : HP-10S

MANIFOLD MOUNT PUMPS



HP-S10 Series



Its a small displacement hand pumps for emergency use.



The lever dia. is 21.5mm, please consult with factory if needed.

Model	Displacement cc/r	Max Pressure (BAR)	Cavity (SAE)	Weight KG
HP-S10 -6	06	210	10-2	1.82
HP-S10 -8	08	210	10-2	1.82
HP-S10 -10	10	210	10-2	1.82

Special on request !!!

Each customers has its own request as its widely used is different fileds .And with our 20 years experience in developing and manufacturing hydraulic hand pumps, we assure we can help you for your any

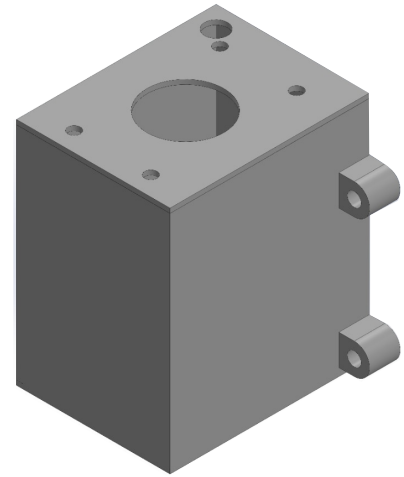
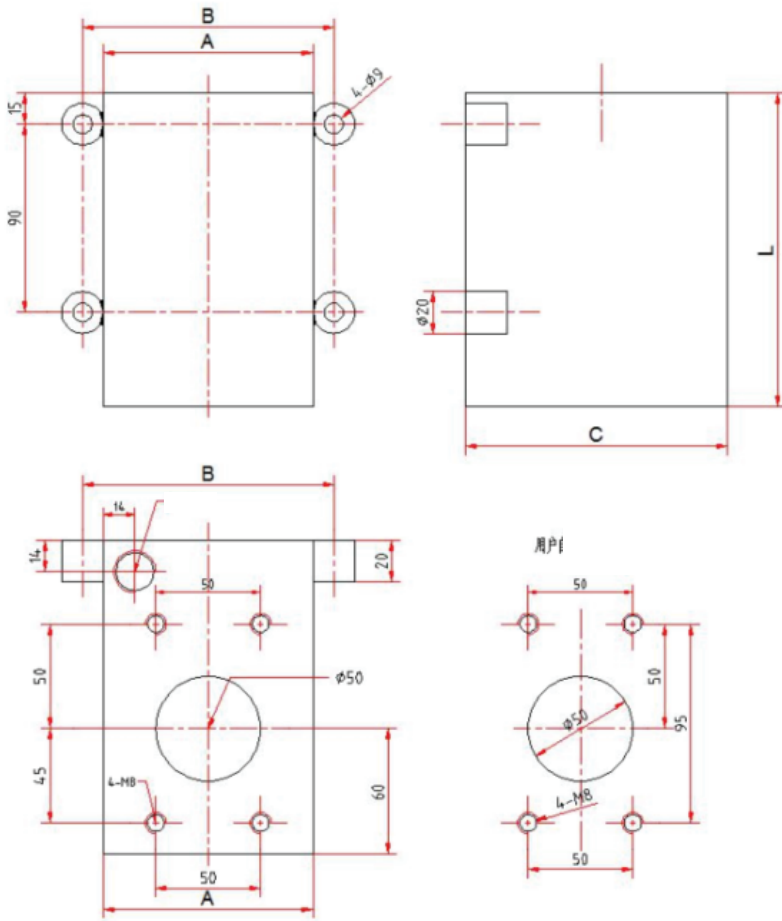
STANDARD STEEL OIL TANKS

Store oil and support install of hydraulic hand pumps.



HYDRAULIC HAND PUMPS

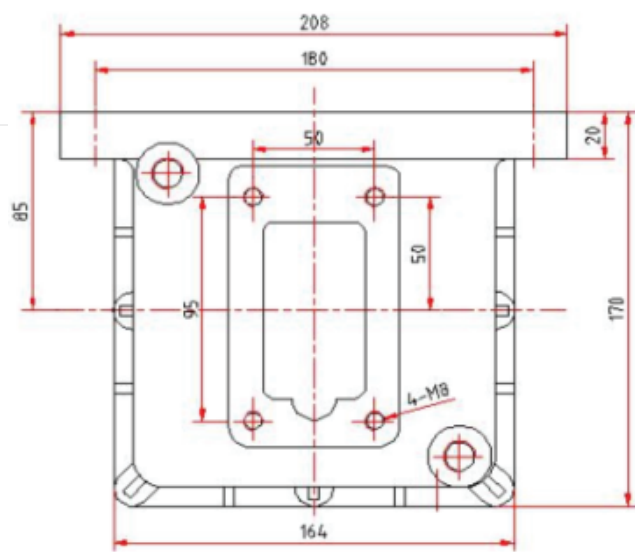
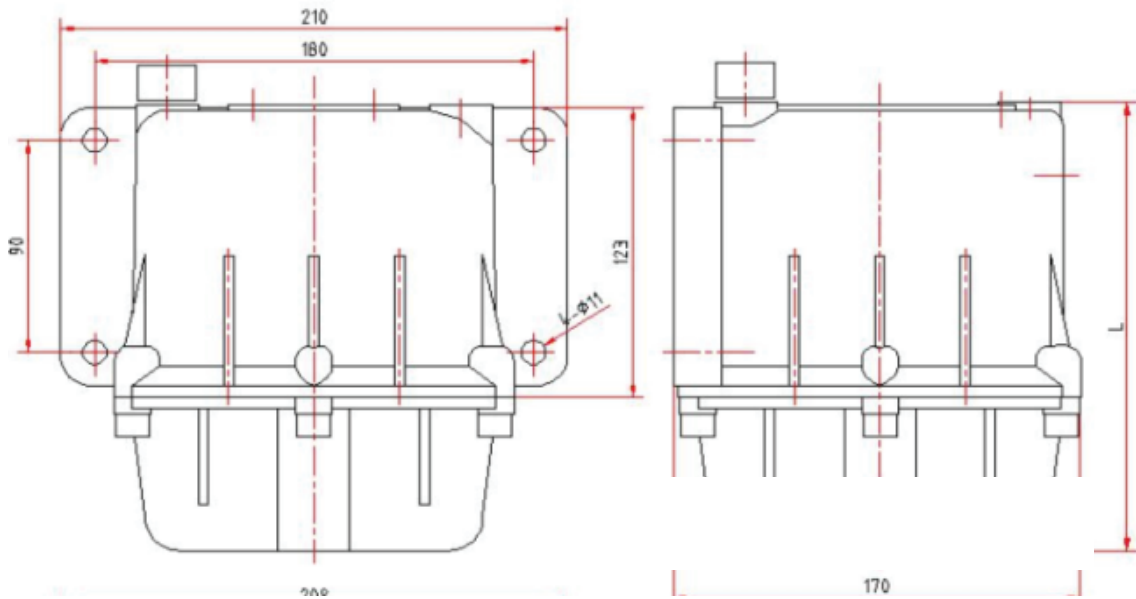
Please advise if you have special request for the oil tanks' size and shape.



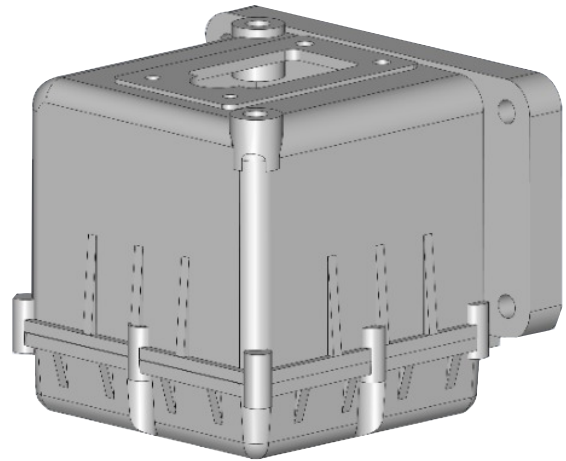
Model / Capacity	A	B	C	L
SST-HP-1	100	120	150	130
SST-HP-2	100	120	150	180
SST-HP-3	100	120	150	250
SST-HP-5	175	195	175	200
SST-HP-7	175	195	175	270
SST-HP-10	175	195	175	370

STANDARD ALUMINIUM OIL TANKS

Store oil and support install of hydraulic hand pumps.



Capacity	Size
SAT-HP-2	L=155 mm
SAT-HP-3	L=195 mm
SAT-HP-5	L=305 mm





 **Location**

Mechano Automation & Systems (ROBUST)

C-46 , Punit Industrial Estate ,
Opp. Turbhe Railway Station, Thane-Belapur Road ,
Turbhe , Navi Mumbai, Maharashtra, India - 400705.

 **Phone**

+91 9819564588
+91-22-27685011

 **Email**

sales@mechanorobust.com

Follow Us:    