



CCN

Vac-Vad- Continuous duty ED100% Plastic Encapsulation

Description & Operation

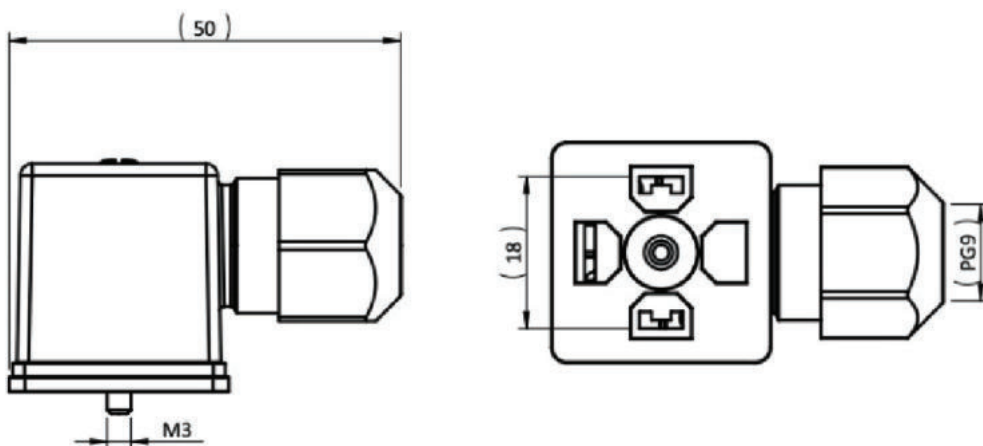
Connector P18 with screw pin M3, NBR Seal (PE), Gratz bridge (rectifier) and VDR protection.
This Type of connector necessary to switch VAC in DC current.



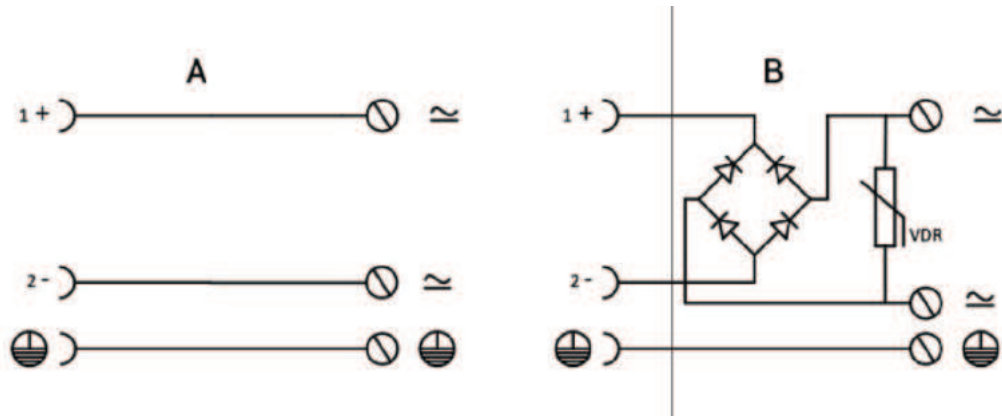
Technical Data

Voltage	See ordering code
Max Current	1 A
Suppressor	See ordering code
N° of Electrical contracts	2+PE (ground)
Connector	EN 175301-801 (DIN 43650)
Operating Range	-40° C to 80° C
Protection Glass	IP65

External Dimesions



 **Circuit**



 **Ordering Code**

C **C** **N** * * *

Model Code	Input Voltage	Out Voltage	Model Code	Circuit
001	Same as output voltage	Same as input voltage	DIN 43650	A
002	230 VAC	207 VDC	VDR 275 Vrms 8,6	B
003	24 VAC	20 VDC	VDR 30 Vrms 8,6	B
004	115 VAC	103 VDC	VDR 130 Vrms 8,6	B