



CRP

Proportional Rregulator

**12 Vcc-24 Vcc- Continuous duty ED100%
Plastic Encapsulation**



Description & Operation

Electronic regulator for open loop control of proportional valves. Encapsulated with thermoplastic compound. Black standard colour. Five potentiometers to adjust minimum and maximum current, rise and fall ramps, frequency. Led switched on when system is powered.



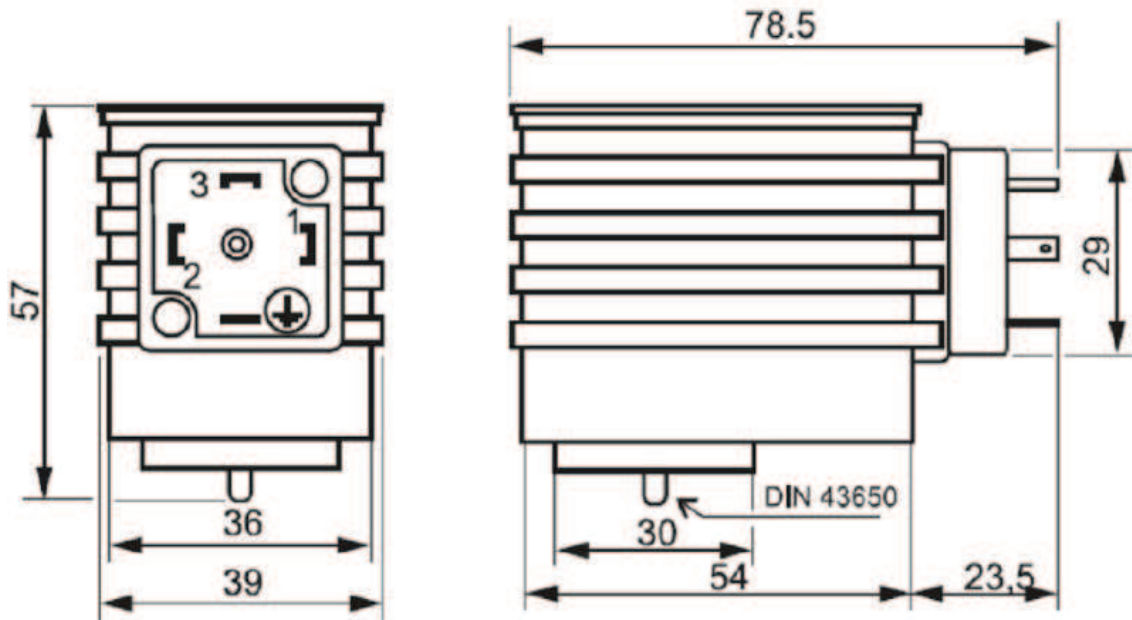
Technical Data

Voltage	24 - 12 Vdc
Input	0 - 10 Volt
PWM Frequency set 120Hz (Adjustable)	50 - 400 Hz
Connector	EN 175301-803 (DIN 43650)
Operating Range	-10 'C, + 50 'C
Protection Glass	IP65

 **External Dimesions**

Cross Section and Cavity Details

1. Positive 12 - 24 Vdc ±10%
2. Negative
3. Input signal 0 - 10 Vdc



 **Ordering Code**

C P R • I • * • C P R
 valve basic code

Labelling
 0 = Supplier standard labelling
 Customized labelling canbe
 done upon request

Model Code	Type of connector
001	DIN 43650