



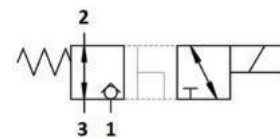
WE.CO.S08 (100) Valve Series

SAE Cartridge – 250 Bar

Directional Valve – 3/2 Seated Type scheme 100

Description & Operation

A Solenoid operated, 3 way 2 positions, seated type, direct acting, screw-in hydraulic directional cartridge valve. In the de-energized mode, the WECO.S08 allows flow bidirectionally between ports 2 and 3, while blocking flow at 1. In this stage the leakage on port 1 is very limited. In the energized mode, bidirectional flow is allowed between ports 1 and 2, while flow is blocked at 3 with a low leakage. The rigid design using a 1-piece body contributes to minimize the effect of eccentricities in cavity and provides great reliability. Low pressure drop thanks to optimized flow path.

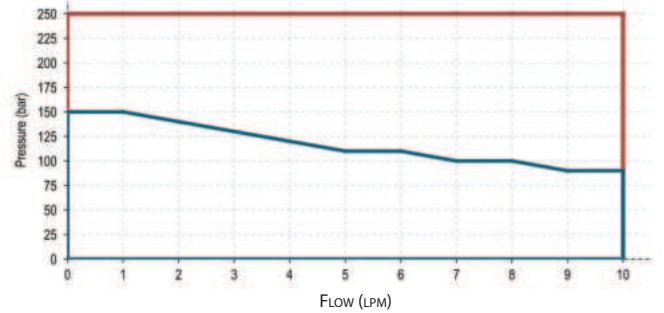
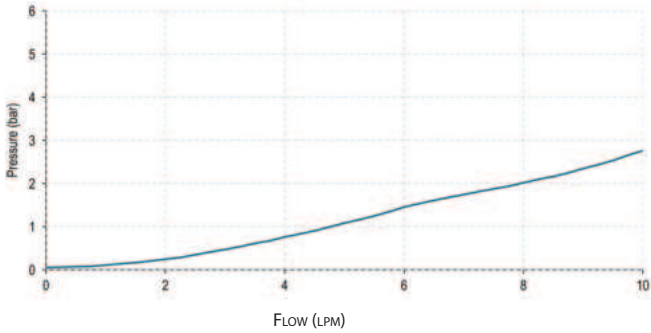


Hydraulic Symbol

Technical Data

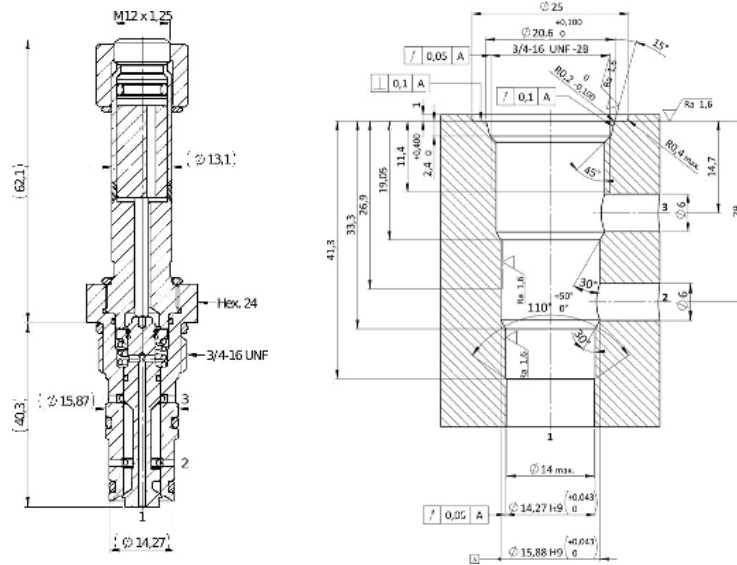
Maximum operating pressure	250 Bar
Maximum flow	10 LPM
Maximum internal leakage	85 cm ³ / min @ 250 Bar 0.25 cm ³ / min @ 250 Bar on port 1
External component treatment	Zn/Fe – standard (96h) Zn/Ni (720h)
O-ring Temperature Range	-30° C to 110° C (standard sealing NBR – BUNA-N)
Oil Temperature Range	-30° C to 110° C
Fluids	Mineral - based or synthetics with lubricating properties
Viscosities	7.4 to 420 cSt
Minimum pull-in voltage	85% of nominal
Filtration	20/18/15 ISO 4406 (maximum filtration admitted)
Orientation	No restrictions
Installation torque	35 - 40 Nm (Hex. 24)
Oil testing condition	ISO VG 46 cSt
Seal kit code	SLKT.035 & SLKT.027 (coil)
Coil	22W
Weight	0.140 kg

 Performance Curve



 Dimensional Drawing

Cross Section and Cavity Details



 Ordering Code

W E • C O • S O 8 • 0 * • 1 0 0

valve basic code

Cavity
S08 = 3/4 - 16 UNF with $\varnothing 15.87$ and $\varnothing 14.27$ nose sizes.

Marking
0 = standard factory marking. customized marking can be done upon request

Flow path
As per hydraulic symbol on previous page.
Transient state: all ports Connected

Manual Override

Model Code	Type of Override
0	No Override
3	Push Pin
4	Push knob
8	Screw

NOTE: All Solenoid cartridge valves listed in the present catalogue are designed to work with D.C. power supply. To work with A.C. power supply, a RAC coil and connector with rectifier must be used. For any additional information, please contact your Sales contact representative.