

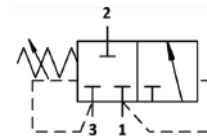


SQ.C0.S08 Valve Series

Hybrid SAE Cartridge - 250 Bar Direct acting with internal Pilot and Vent

Description & Operation

The SQ.C0.S08 is a screw in, cartridge style, direct acting, spool type hydraulic sequence valve with internal pilot. This valve has a spring chamber drain and is designed to direct oil to a secondary circuit once a predetermined pressure level is reached in the primary circuit. In the idle condition, the SQ.C0.S08 blocks flow at 1, and also allows no connection between 2 and 3. Once pressure setting is reached, the spool shifts and puts in connection ports 1 and 2, while blocking flow at 3. Note that the back pressure at port 3 is directly additive to the spring setting value.

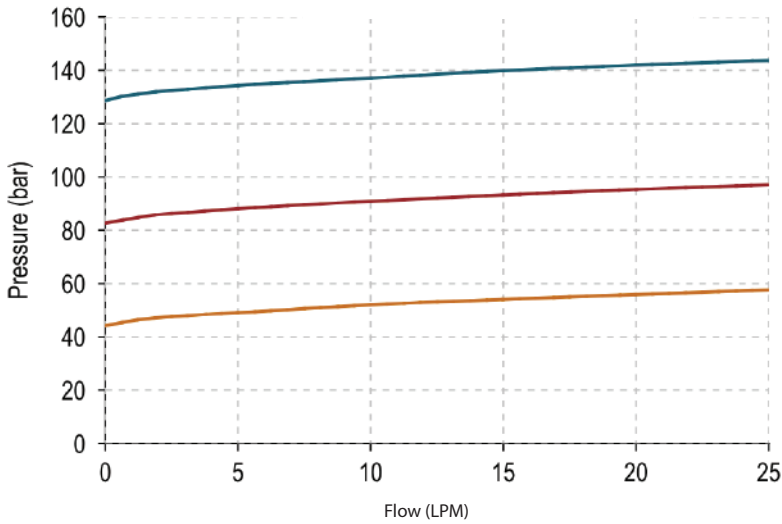


Hydraulic Symbol

Technical Data

| | |
|------------------------------|---|
| Maximum operating pressure | 250 Bar |
| Maximum flow | 25 LPM |
| Maximum internal leakage | 50 cm ³ /min @ 300 Bar (when pilot in port 1 is activated) |
| External component treatment | Zn/Fe - standard (96h) Zn/Ni (720h) upon customer request |
| O-ring Temperature Range | -30° C to 110° C (standard sealing NBR - BUNA-N) |
| Oil Temperature Range | -30° C to 110° C |
| Fluids | Mineral - based or synthetics with lubricating properties |
| Viscosities | 7.4 to 420 cSt |
| Filtration | 20/18/15 ISO 4406 (maximum filtration admitted) |
| Orientation | No restrictions |
| Installation torque | 45-50 Nm Hex.24 |
| Tightening torque nut | 13-17 Nm Hex.17 |
| Oil testing condition | ISO VG 46 cSt |
| Seal kit code | SLKT.069 |
| Weight | 0.184 kg |

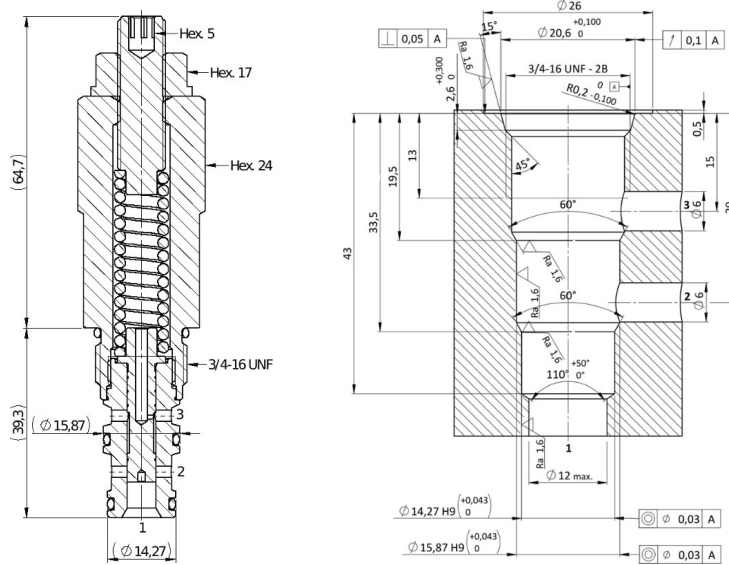
Performance Curve



NOTE:
The performance chart illustrates flow handling capacity for each spring bias options.
p/Q curves are recorded at TOil = 40°C and 46 cSt.

Dimensional Drawing

Cross Section and Cavity Details



Ordering Code

S **Q** **•** **C** **0** **•** **S** **0** **8** **•** **0** ***** **•** ***** ***** *****

valve basic code

Cavity
S08 = 3/4 - 16 UNF with $\varnothing 15.87$ and $\varnothing 14.27$ and nose sizes.

Marking
0 = standard factory marking. customized marking can be done upon request

Total spring range
(50-135) bar

Pressure Setting in (Bar)

Note= standard setting are multiple of 5 Bars

| Spring Model Code | Pressure setting range (Bar) |
|-------------------|------------------------------|
| N | 50-135 |