

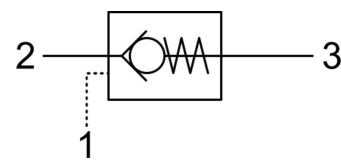


SP.C6.S08 Valve Series

SAE Cartridge – 350 Bar
Direct acting check valve
Pilot piston to open

Description & Operation

Cartridge style, normally closed, single pilot check valve. Cartridge is closed until sufficient pressure is applied on port 1 to reach the bias spring setting, lift the poppet and allow free flow to 2. The valve is normally closed from 2 to 1. When sufficient pressure is applied on port 3, the pilot piston lifts the poppet from its seat and allows flow from 2 to 1. Very limited leakage in the check condition.

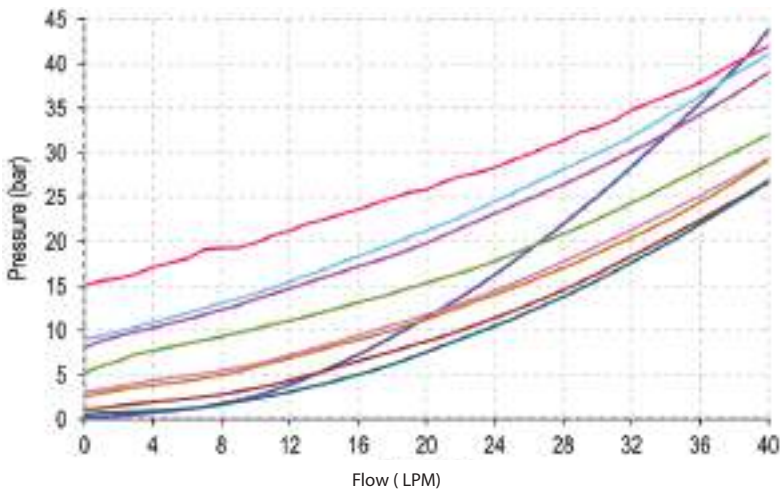


Hydraulic Symbol

Technical Data

Maximum operating pressure	350 Bar
Maximum flow	40 LPM
Maximum internal leakage	0.10 cm ³ / min @ 10 Bar 0.10 cm ³ / min @ 350 Bar
Pilot Ratio	3,2:1
External component treatment	Zn/Fe - standard (96h) Zn/Ni (720h)
O-ring Temperature Range	-30° C to 110° C (standard sealing NBR - BUNA-N)
Oil Temperature Range	-30° C to 110° C
Fluids	Mineral - based or synthetics with lubricating properties
Viscosities	7.4 to 420 cSt
Filtration	20/18/15 ISO 4406 (maximum filtration admitted)
Orientation	No restrictions
Installation torque	40-45 Nm
Oil testing condition	ISO VG 46 cSt
Seal kit code	SLKT.047
Weight	0.063 kg

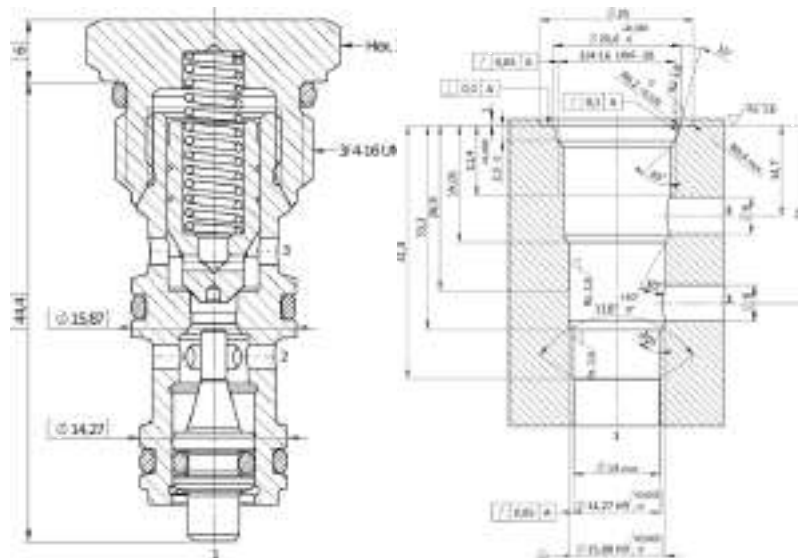
Performance Curve



Note:
The performance chart illustrates flow handling capacity for standard bias springs. p/Q curves are recorded at TOil = 40°C and 46 cSt

Dimensional Drawing

Cross Section and Cavity Details



Ordering Code

D P • C 6 • S 0 8 • 0 * • 0 0 0

valve basic code

Options
7=Without O-Ring on the pilot piston

Cavity
S08 = 3/4 - 16 UNF with ϕ 15.87 and ϕ 14.27 nose size

Marking
0 =standard factory marking. customized marking can be done upon request

000= standard configuration

Bias spring

Spring model Code	Cracking Pressure (Bar)	Spring model Code	Cracking Pressure (Bar)
Y	<0.5	P	5.0
N	1.0	G	8.0
S	2.5	V	9.0
B	3.0	W	15.0