



FIXED THROTTLE CHECK VALVES

VUSF

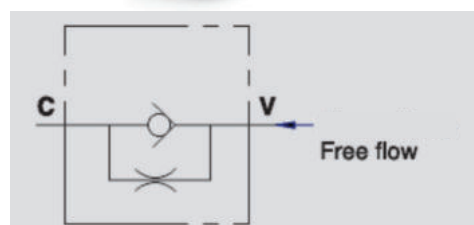
Flow Upto 300 LPM
Pressure 350 Bar



Description & Operation

Flow is free in one direction and restricted in the reverse one. The restriction is set by the hole diameter in the throttle valve and therefore it is fixed.

Connect V to the pressure flow and C to the actuator. Flow is free from V to C and restricted in the reverse one. Throttling is obtained through one or two calibrated holes, the diameter of which has to be specified in the order.



Hydraulic Symbol



Technical Data

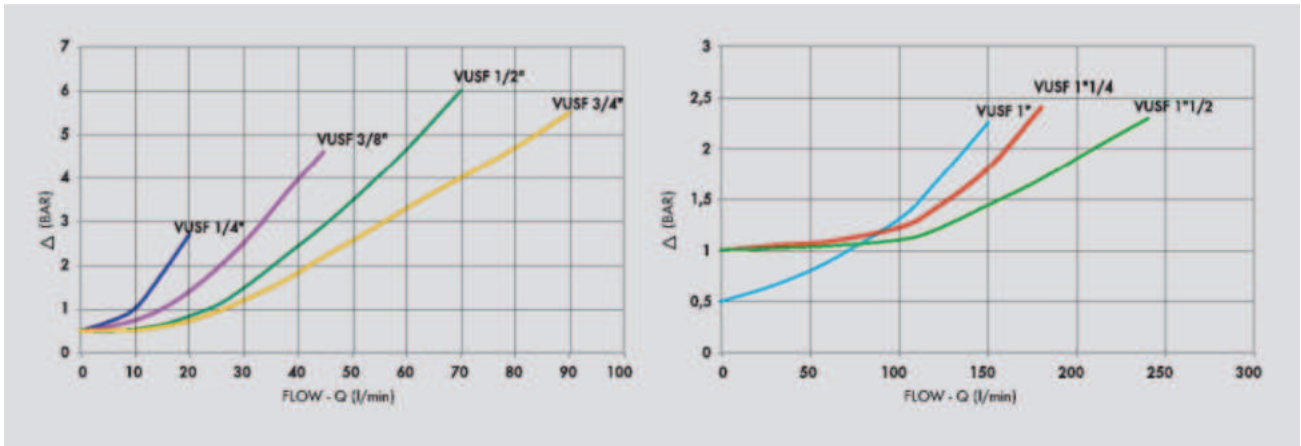
Maximum Flow	300 LPM
Maximum Pressure	350 Bar
Body Material	Steel
Internal parts	Hardened and Ground steel
External Component treatment	Zn/Fe - standard (96h) / Zn/Ni (720h)
Oil Temperature	50 Deg. C
Fluids	Mineral based or synthetics with lubricating properties
Viscosity	30 cSt
Standard Sealing	NBR-Buna N
Filtration	20/18/15 ISO 4406 (Max. Filtration admitted)
Orientation / Mounting	Inline
Weight	See Ordering details



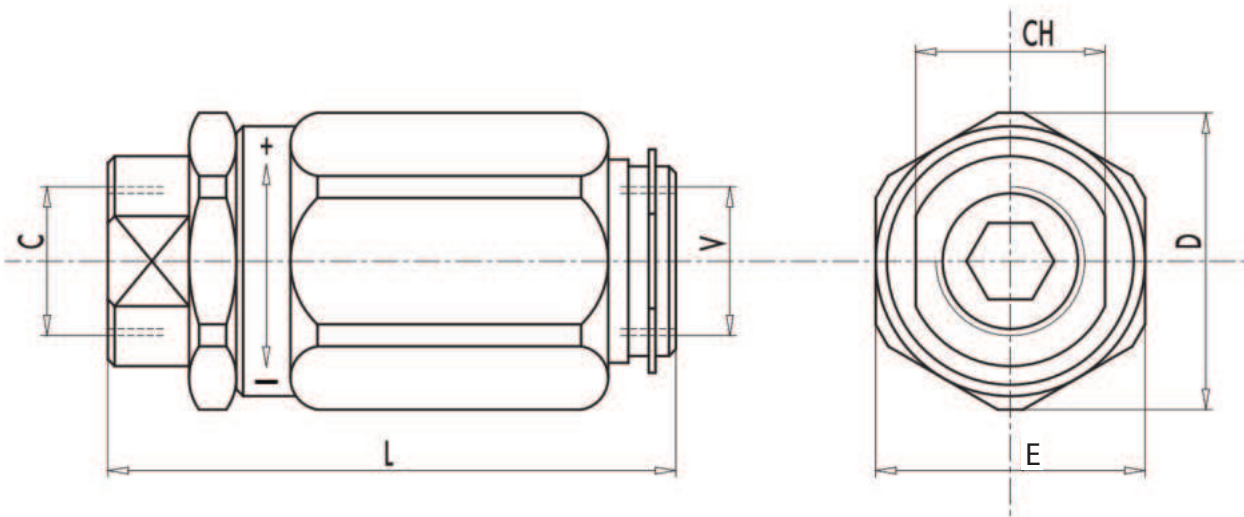
Specifications

Type	Max.Flow	Max.Pressure	Cr.Pressure
	LPM	Bar	Bar
VUSF 1/4"	20	350	±0.4/0.7
VUSF 3/8"	45	350	±0.4/0.7
VUSF 1/2"	70	350	±0.4/0.7
VUSF 3/4"	110	350	±0.4/0.7
VUSF 1"	160	350	±0.4/0.7
VUSF 1" 1/4	200	350	1
VUSF 1" 1/2	300	350	1

 **Performance Curve**



 **Dimensional Drawing**



 **Ordering Details**

Code	Type	V-C	L	E	D	Weight
		GAS	mm	mm	mm	Kg
R-V0590/*	VUSF 1/4"	G1/4"	62	19	21	0.104
R-V0600/*	VUSF 3/8"	G3/8"	68	24	26.5	0.184
R-V0610/*	VUSF 1/2"	G1/2"	77	30	34	0.322
R-V0620/*	VUSF 3/4"	G3/4"	88	36	40	0.492
R-V0630/*	VUSF 1"	G 1"	105	41	46	0.676
R-V0631/*	VUSF 1" 1/4"	G1" 1/4"	135	55	63	1.646
R-V0632/*	VUSF 1" 1/2"	G1" 1/2"	145	60	69	1.950

*: CODE/IF : valve with one calibrated hole, please specify hole diameter. Ordering example; V0590/IF, VUSF 1/4" 1 HOLE DIAM. 2 mm
 *: CODE/IF : valve with two calibrated hole, please specify hole diameter. Ordering example; V0610/2F, VUSF 1/2" 2HOLES DIAM. 1 mm

 **On Request**

- Other settings available: 1-3-5-8 Bar (please specify the desired setting in the description.)