

# SINGLE OVERCENTER VALVES FLANGEABLE, CLOSED CENTRE



## VBCD SE FL CC

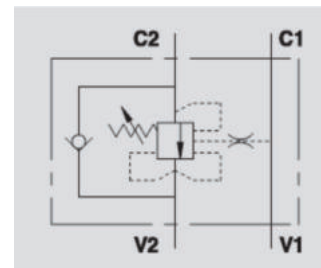
**Flow Upto 60 LPM**  
**Pressure 350 Bar**

### Description & Operation

These valves are used to control the actuator movements and block in one direction. In order to have the descent of a load under control and avoid the load's weight being carried away the valve will prevent any cavitation of the valve onto the actuator. This valve is ideal when normal overcentre valves don't work properly as it's not sensitive to back pressure. They also allow the system pressure to move multiple actuators in series.

Connect V1 and V2 to the supply, C1 to the free flow side of the actuator and flange C2 to the actuator's side you want the flow to be blocked. V1 and V2 ports are reversible.

Valve setting must be at least 1.3 times more than load pressure in order to enable the valve to close even when subjected to the maximum load pressure.



Hydraulic Symbol

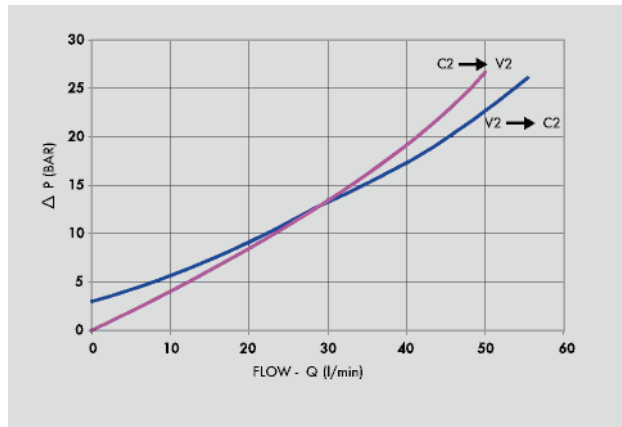
### Technical Data

Maximum Flow	60 LPM
Maximum Pressure	350 Bar
Body Material	Steel
Internal parts	Hardened and Ground steel
External Component treatment	Zn/Fe - standard (96h) / Zn/Ni (720h)
Oil Temperature	50 Deg. C
Fluids	Mineral based or synthetics with lubricating properties
Viscosity	30 cSt
Standard Sealing	NBR-Buna N
Filtration	20/18/15 ISO 4406 ( Max. Filtration admitted)
Orientation / Mounting	Inline
Weight	See Ordering details
Standard Pressure Setting	320 Bar

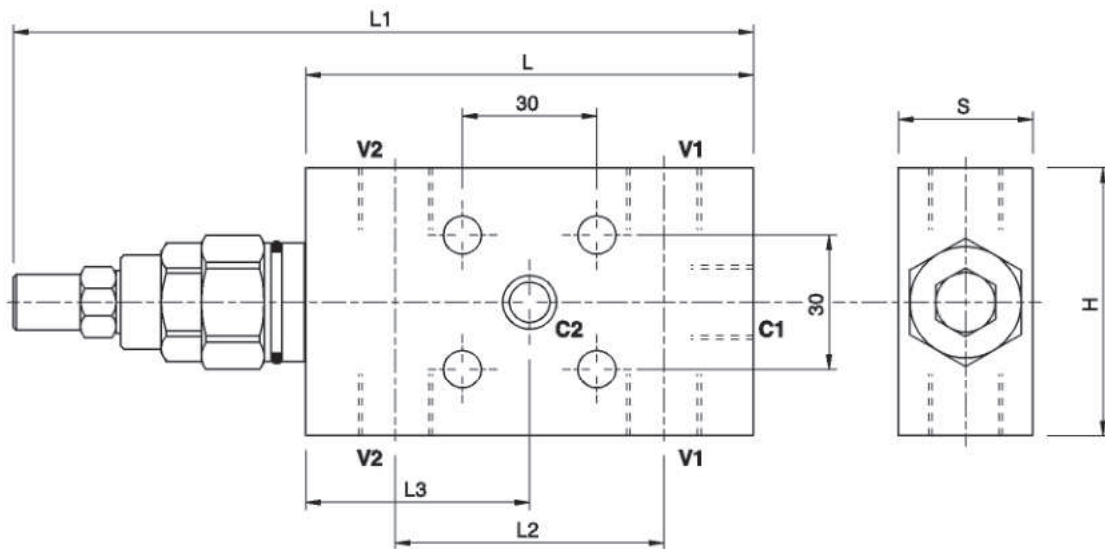
### Specifications

Type	Pilot Ratio	Max.Flow	Max.Pressure
		LPM	Bar
VBCD 3/8" SE FL CC	1:4.5	40	350
VBCD 1/2" SE FL CC	1:4.5	60	350

 **Performance Curve**



 **Dimensional Drawing**



 **Ordering Details**

Code	Type	V1-V2	C2	L	L1	L2	L3	H	S	Weight
		GAS	mm	mm	mm	mm	mm	mm	mm	Kg
R-V0403	VBCD 3/8" SE FL CC	G 3/8"	Ø9	100	166	60	50	60	30	1.256
R-V0404	VBCD 1/2" SE FL CC	G 1/2"	Ø9	100	166	60	50	60	30	1.200

 **On Request**

- Other settings available
- Sealing cap (CODE/P) and arranged for sealing cap (CODE/PP)

**OVER CENTER VALVES**