



S.B0.G34 Valve Series

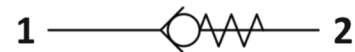
METRIC Cartridge - 350 Bar

Direct acting - **Poppet** type



Description & Operation

A screw-in, direct acting, ball type in-line check valve. Main use is as a blocking or load-holding device. The S.B0.G34 allows flow passage from port 1 to 2: the cartridge has a fully guided check which is spring-biased closed until sufficient pressure is applied at port 1 to open to 2. The flow is blocked in the opposite direction (2 to 1).



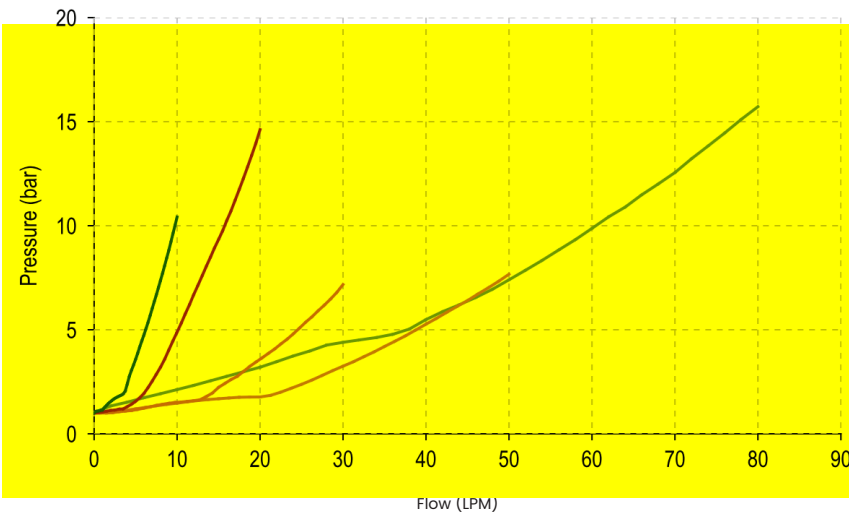
Hydraulic Symbol



Technical Data

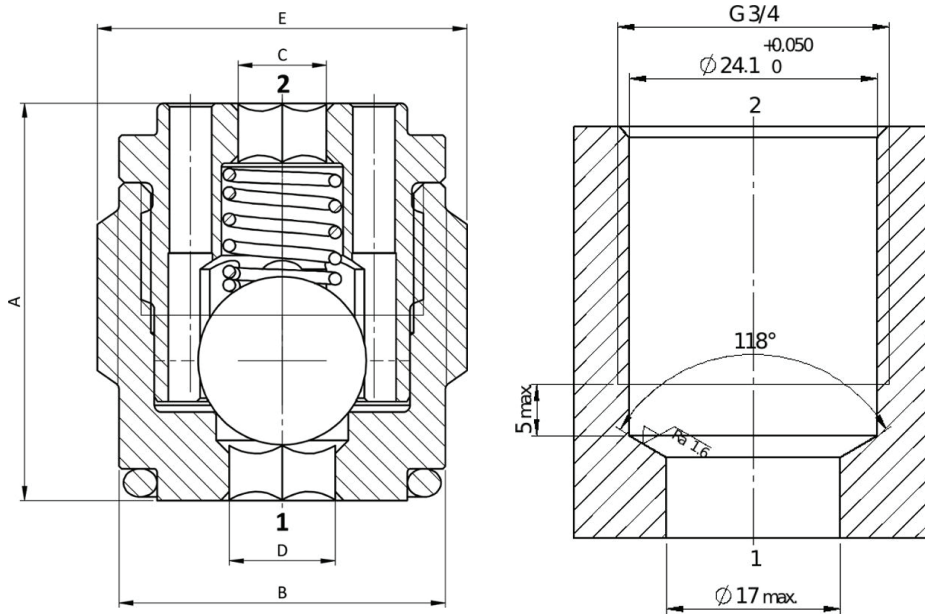
Maximum operating pressure	350 Bar
Maximum flow	80 LPM
Maximum internal leakage	0.1 cm ³ / min @ 10 Bar 0.1 cm ³ / min @ 350 Bar
External component treatment	Zn/Fe - standard (96h) Zn/Ni (720h)
O-ring Temperature Range	-30° C to 110° C (standard sealing NBR - BUNA-N)
Oil Temperature Range	-30° C to 110° C
Fluids	Mineral - based or synthetics with lubricating properties
Viscosities	7.4 to 420 cSt
Filtration	20/18/15 ISO 4406 (maximum filtration admitted)
Orientation	No restrictions
Installation Tool	IK.010
Installation torque	20 Nm Hex 8
Oil testing condition	ISO VG 46 cSt
Seal kit code	SK.022
Weight	0.082 kg

Performance Curve



Note:
The performance chart illustrates flow handling capacity for standard bias springs. p/Q curves are recorded at T_{Oil} = 40°C and 46 cSt

Dimensional Drawing



Ordering Code

S • B 0 • G 3 4 • 0 * • 0 0 0

valve basic code 000= standard configuration

Cavity
G34 = METRIC G34 x 1

Marking
0 = standard factory marking. customized marking can be done upon request

Bias spring Options

Spring model Code	Cracking Pressure (Bar)
Y	0.3
N	1.0
B	3.0

CHECK VALVES