



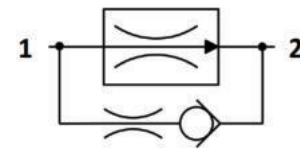
## FR.C0.S10 Valve Series

**SAE Cartridge - 250 Bar**

**Direct acting - Pressure Compensated**

### Description & Operation

A direct acting, screw-in insert type, 2-way pressure compensated flow control valve. The flow rate of this valve in the 1 to 2 flow path is largely independent of the system pressure and is determined by the dimension of a calibrated orifice. The valve cannot be adjusted for variable flow output. Free flow in the 2 to 1 path is allowed and not pressure compensated.

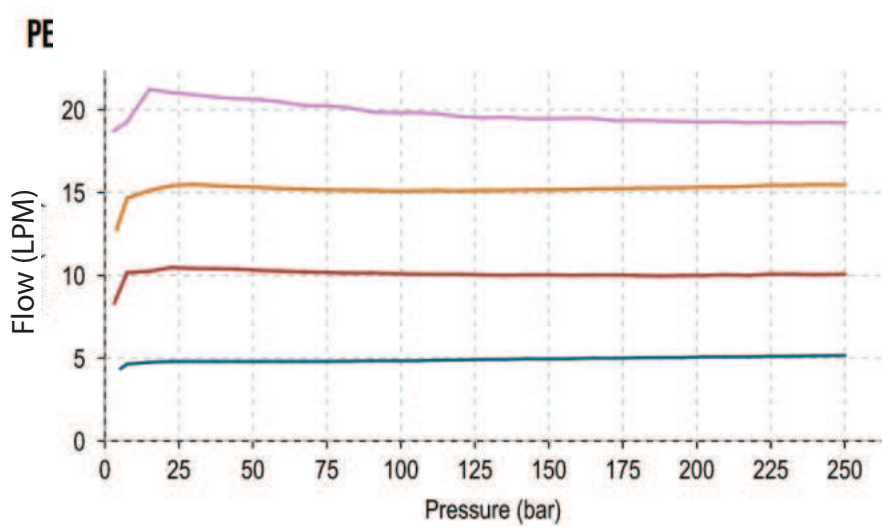


Hydraulic Symbol

### Technical Data

Maximum operating pressure	250 Bar (2->1 max working pressure 160 bar)
Maximum flow	20 LPM (in flow control function)
External component treatment	Zn/Fe - standard (96h) Zn/Ni (720h)
O-ring Temperature Range	-30° C to 110° C (standard sealing NBR - BUNA-N)
Oil Temperature Range	-30° C to 110° C
Fluids	Mineral - based or synthetics with lubricating properties
Viscosities	7.4 to 420 cSt
Filtration	20/18/15 ISO 4406 (maximum filtration admitted)
Orientation	No restrictions
Installation torque	40-45 Nm
Oil testing condition	ISO VG 46 cSt
Seal kit code	SLKT.032
Weight	0.090 kg

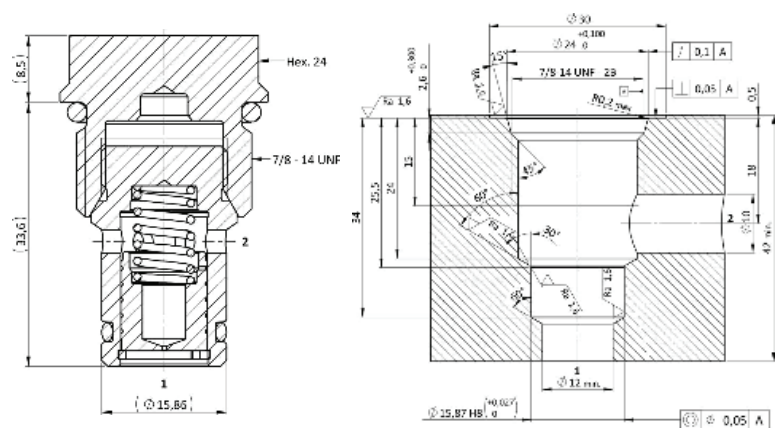
 **Performance Curve**



**Note:** The performance chart illustrates flow handling capacity in the pressure compensated mode for a few significant flow settings. p/Q curves are recorded at TOil = 40°C and 46 cSt.

 **Dimensional Drawing**

**Cross Section and Cavity Details**



 **Ordering Code**

**F R • C O • S I O • O \* • \* \* \***

valve basic code

↓  
**Cavity**  
**S10=7/8 - 14 UNF** with  
 ∅ 15.86 nose sizes

**Fixed flow setting (l/min with 1 decimal)**

FRCO		FRCI	
2,5 l/min	020	1,2 l/min	012
3 l/min	030	1,4 l/min	014
4 l/min	040	1,6 l/min	016
5 l/min	050	1,8 l/min	018
6 l/min	060	2 l/min	020
7 l/min	070	2,1 l/min	021
8 l/min	080		
9 l/min	090		
10 l/min	100		
11 l/min	110		
12 l/min	120		
16 l/min	160		
18 l/min	180		
20 l/min	200		

**Note** = customized fixed flow can be provided upon request