

DUAL CROSS LINE RELIEF VALVE FLANGEABLE ON DANFOSS MOTORS OMS



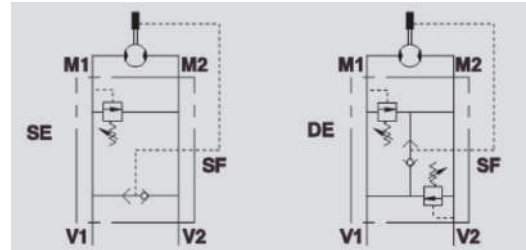
VAU OMS

Flow Upto 50 LPM
Pressure 350 Bar

Description & Operation

Made up by two cross port relief valves, these valves are used to limit the pressure in the both (DE) or one (SE) ports of a hydraulic motor to a certain setting. Direct flange mounting for Danfoss motors type low OMS provides maximum safety, very low pressure drop and a robust installation.

M1 and M2 directly to the motor and connect ports V1 and V2 to the supply.



Hydraulic Symbol

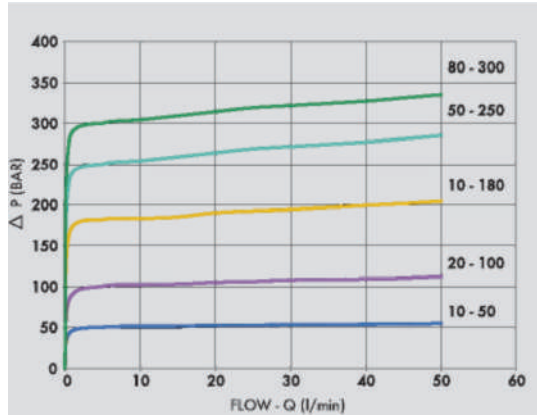
Technical Data

Maximum Flow	50 LPM
Maximum Pressure	350 Bar
Body Material	Steel
Internal parts	Hardened and Ground steel
External Component treatment	Zn/Fe - standard (96h) / Zn/Ni (720h)
Oil Temperature	50 Deg. C
Fluids	Mineral based or synthetics with lubricating properties
Viscosity	30 cSt
Standard Sealing	NBR-Buna N
Filtration	20/18/15 ISO 4406 (Max. Filtration admitted)
Orientation / Mounting	Inline
Weight	See Ordering details

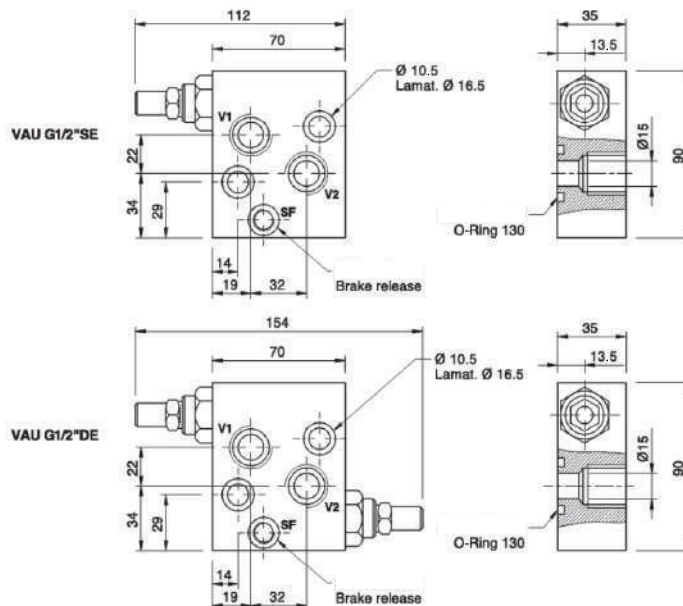
Specifications

Type	Max.Flow	Max. Pressure
	LPM	Bar
VAU 1/2" OMS	50	350
VAU 1/2" OMS SF	50	350
VAU 1/2" OMS SE	50	350
VAU 1/2" OMS SE SF	50	350
VAU 1/2" OMS AC	50	350

 **Performance Curve**



 **Dimensional Drawing**



 **Ordering Details**

Code	Type	V1-V2	SF	Weight Kg
		GAS	GAS	
VO490	VAU 1/2" OMS	G 1/2"	-	1.326
VO490/SF	VAU 1/2" OMS SF	G 1/2"	G 1/4"	1.326
VO489	VAU 1/2" OMS SE	G 1/2"	-	1.462
VO489/SF	VAU 1/2" OMS SE SF	G 1/2"	G 1/4"	1.389
VO490/AC	VAU 1/2" OMS AC	G 1/2"	-	1.417

 **Springs Table**

Setting Range Bar	Pressure Increase Bar/Tab	Standard Setting Bar
10 - 50*	7	30
20 - 100*	12	75
30 - 180 standard	30	90
50 - 250	45	130
80 - 300	50	150

 **Adjustment**

CODE/V	Handknob
CODE/PP	Arranged for sealing cap
CODE/P	Sealing cap

 **On Request**

- Different setting range (see the table)
- Other setting available (CODE/T000 please specify the desired setting)

DUAL CROSS RELIEF VALVES