

CROSS LINE DIFFERENTIAL AREA RELIEF VALVE WITH ANTI CAVITATION, 1"



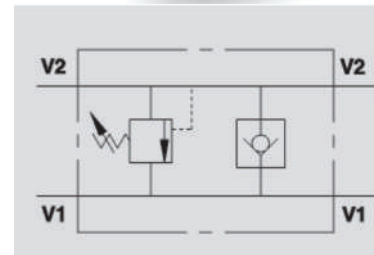
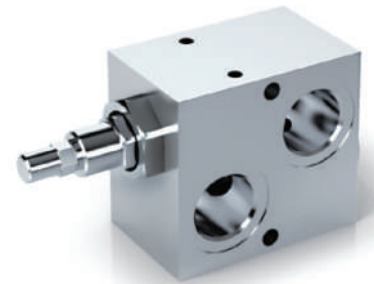
VAUAC

Flow Upto 160 LPM
Pressure 350 Bar

Description & Operation

Made up from a cross line relief valve and a check valve, this valve is used to limit the pressure to a certain setting of one branch of hydraulic cylinder or motor. The valve differential opening is slower than the standard one, but the setting is more consistent to changing flow rate.

Connect V1 and V2 to the pressure flow or to the actuator/hydraulic motor. Vice versa for the remaining ports V1 and V2. Mounting by the actuator is highly recommended in order to avoid pressure drops.



Hydraulic Symbol

Technical Data

Maximum Flow	160 LPM
Maximum Pressure	350 Bar
Body Material	Steel
Internal parts	Hardened and Ground steel
External Component treatment	Zn/Fe - standard (96h) / Zn/Ni (720h)
Oil Temperature	50 Deg. C
Fluids	Mineral based or synthetics with lubricating properties
Viscosity	30 cSt
Standard Sealing	NBR-Buna N
Filtration	20/18/15 ISO 4406 (Max. Filtration admitted)
Orientation / Mounting	Inline
Weight	See Ordering details

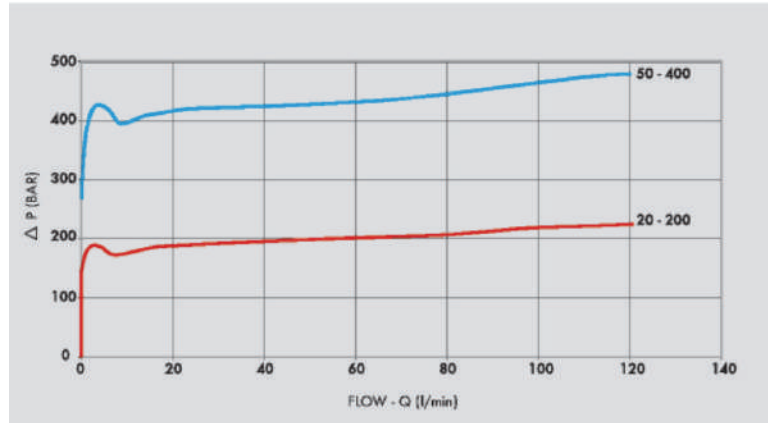
Specifications

Type	Max.Flow	Max. Pressure
	FPM	Bar
VAUAC 1"	160	350

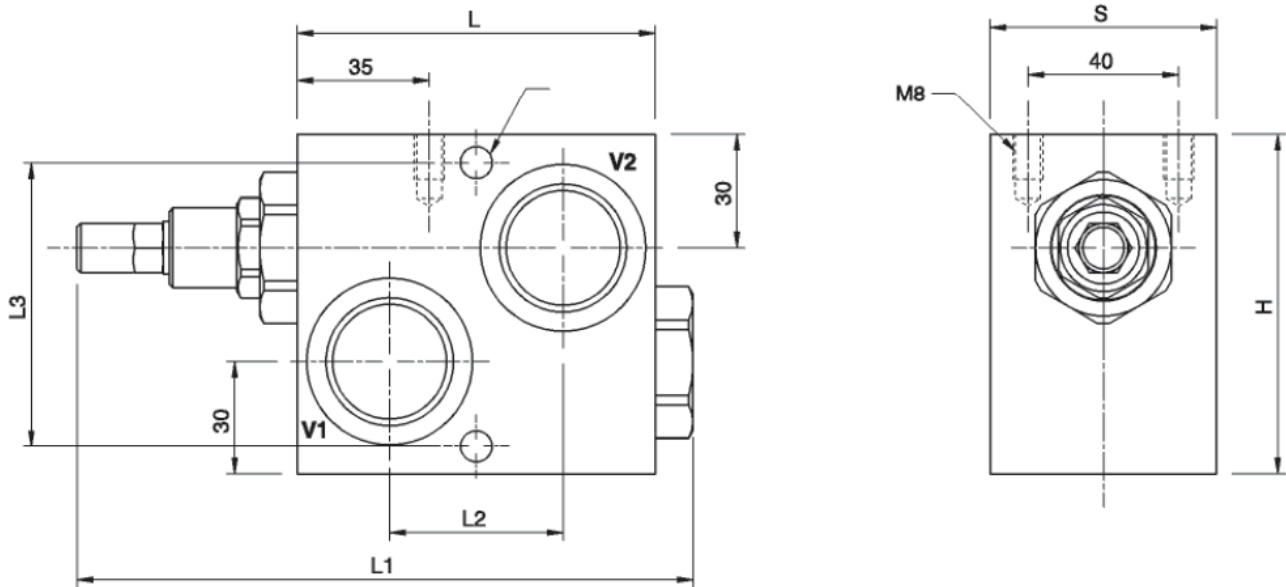
On Request

- Different setting range (see the table)
- Other setting available (CODE/T000 please specify the desired setting)

 Performance Curve



 Dimensional Drawing



 Ordering Details

Code	Type	V1 - V2	L	L1	L2	L3	H	S	Weight
		GAS	mm	mm	mm	mm	mm	mm	kg
VO736	VAUAC 1"	G1"	95	164	46	75	90	60	3.155

 Springs Table

Setting Range	Pressure Increase	Standard Setting
Bar	Bar/Turn	Bar
20 - 200*	40	160
50 - 400 standard	80	180

 Adjustment

CODE/V	Handknob
CODE/PP	Arranged for sealing cap
CODE/P	Sealing cap

DUAL CROSS RELIEF VALVES