

# CROSS LINE DIFFERENTIAL AREA RELIEF VALVE, 1"



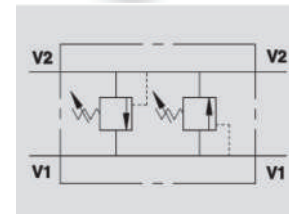
## VAU

**Flow Upto 160 LPM**  
**Pressure 350 Bar**

### Description & Operation

Made up from 2 cross line relief valves, this valve is used to limit the pressure to a certain setting in the two ports of an actuator/hydraulic motor. It's ideal to provide protection against sudden shock pressures or to limit the maximum pressures in the two ports of a hydraulic circuit. The valve differential opening is slower than the standard one, but the setting is more consistent to change flow rate.

Connect V1 and V2 to the pressure flow or to the actuator/ hydraulic motor. Vice versa for the remaining ports V1 and V2. Mounting by the actuator is highly recommended in order to avoid pressure drops.



Hydraulic Symbol

### Technical Data

Maximum Flow	160 LPM
Maximum Pressure	350 Bar
Body Material	Steel
Internal Parts	Hardened and Ground steel
External Component treatment	Zn/Fe - standard (96h) / Zn/Ni (720h)
Oil Temperature	50 Deg. C
Fluids	Mineral based or synthetics with lubricating properties
Viscosity	30 cSt
Standard Sealing	NBR-Buna N
Filtration	20/18/15 ISO 4406 ( Max. Filtration admitted)
Orientation / Mounting	Inline
Weight	See Ordering details

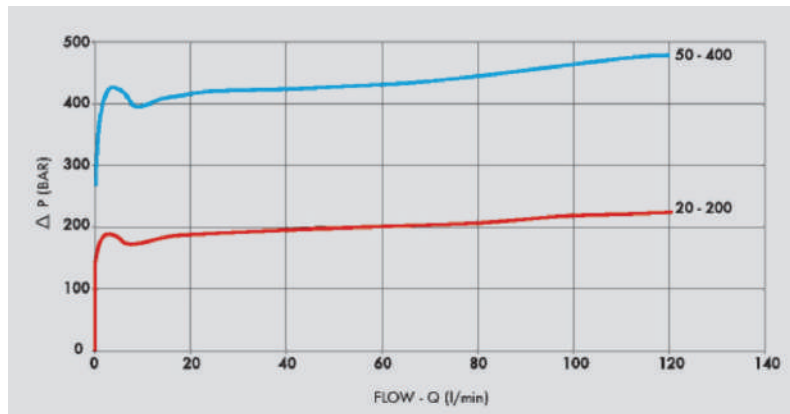
### Specifications

Type	Max.Flow	Max. Pressure
	LPM	Bar
VAU 1"	160	350

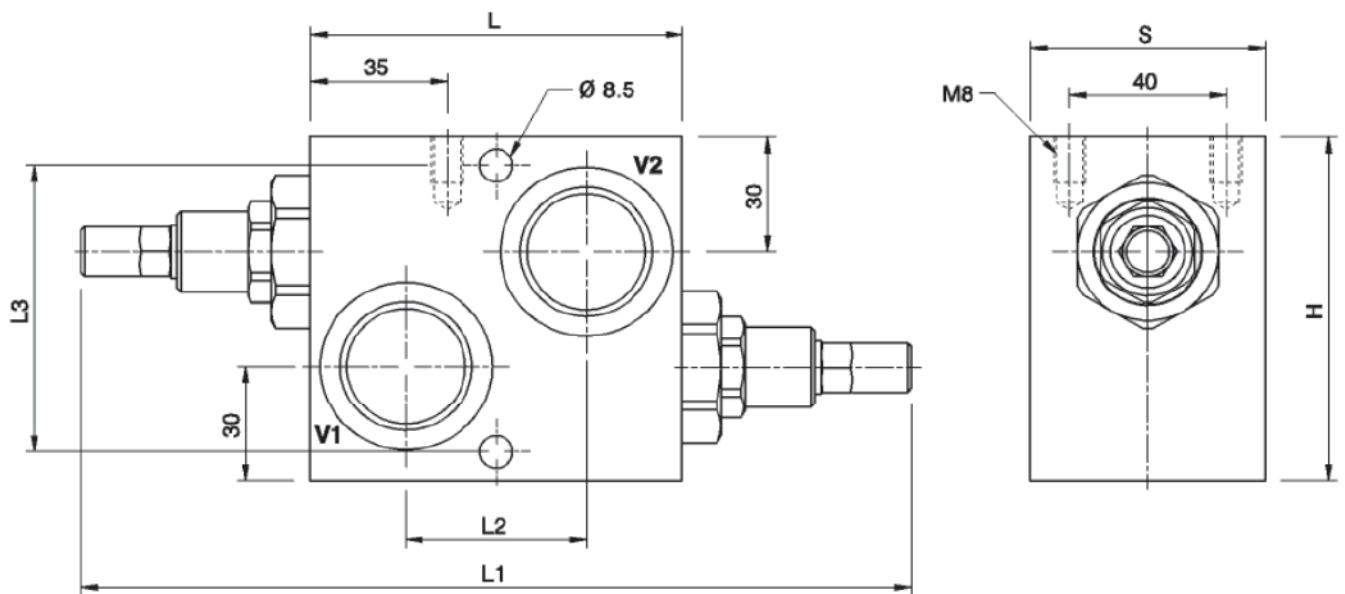
### On Request

- Different setting range (see the table)
- Other setting available (CODE/T000 please specify the desired setting)

**Performance Curve**



**Dimensional Drawing**



**Ordering Details**

Code	Type	VI-V2	L	L1	L2	L3	H	S	Weight
		GAS	mm	mm	mm	mm	mm	mm	Kg
R-V0438	VAU 1/4"	G 1"	95	211	46	75	90	60	3.248

**Springs Table**

Setting Range	Pressure Increase	Standard Setting
Bar	Bar	Bar
20 - 200	40	160
50-400 Standard	80	180

\*For setting less than 70 Bar: Q=12 l/min

**Adjustment**

CODE/V	Handknob
CODE/PP	Arranged for sealing cap
CODE/P	Sealing cap

**DUAL CROSS RELIEF VALVES**